

Overview

HP Virtual Connect FlexFabric 10Gb/24-port Modules are the simplest, most flexible way to connect virtualized server blades to data or storage networks. VC FlexFabric modules eliminate up to 95% of network sprawl at the server edge with one device that converges traffic inside enclosures and directly connects to external LANs and SANs. Using Flex-10 technology with Fibre Channel over Ethernet and accelerated iSCSI, these modules converge traffic over high speed 10Gb connections to servers with HP FlexFabric Adapters (HP NC551i or HP NC551m Dual Port FlexFabric 10Gb Converged Network Adapters or HP NC553i 10Gb 2-port FlexFabric Converged Network Adapter). Each redundant pair of Virtual Connect FlexFabric modules provide 8 adjustable downlink connections (six Ethernet and two Fibre Channel, or six Ethernet and 2 iSCSI or eight Ethernet) to dual port 10Gb FlexFabric Adapters on servers. Up to eight uplinks are available for connection to upstream Ethernet and Fibre Channel switches. VC FlexFabric modules avoid the confusion of traditional and other converged network solutions by eliminating the need for multiple Ethernet and Fibre Channel switches, extension modules, cables and software licenses. Also, Virtual Connect wire-once connection management is built-in enabling server adds, moves and replacement in minutes instead of days or weeks.

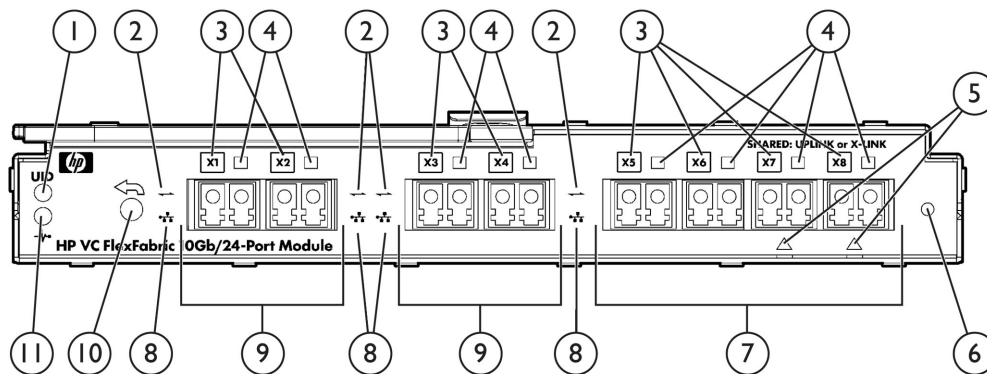


Figure 1 Virtual Connect FlexFabric Module Front Bezel

1. Unit Identification Display LED
2. Backlit Fibre Channel mode indicator
3. Backlit port number and status indicator LED
4. Port Link/Activity/Speed indicator
5. Backlit up or X-link indicator
6. Reset button
7. 4x 1/10Gb Ethernet (SFP+)
8. Backlit Ethernet mode indicator
9. 2x 10Gb Ethernet or 2/4/8 Gb Fibre Channel (SFP+)
10. Enter button
11. Module status indicator

What's New

- Virtual Connect v4.01 highlights for the Virtual Connect FlexFabric 10Gb/24-Port Module
 - Extending convergence with Dual-hop FCoE
 - Prioritizing critical application traffic with QoS
 - Min/Max Bandwidth optimization for efficient allocation of bandwidth in virtualized environment with Flex-10 based adapters
 - Improved SNMP MIBs with detailed traps
 - Role based customization
 - CLI TAB completion
 - Configurable LACP timer
 - CLI and GUI session timeout

Overview

Models

HP Virtual Connect FlexFabric 10Gb/24-port Module for c-Class BladeSystem

571956-B21

HP Virtual Connect FlexFabric 10/24 Enterprise Edition BLc7000 Option

605865-B21

NOTE: Includes 2 x HP Virtual Connect FlexFabric 10Gb/24-port modules plus 1 x VCEM BL-c7000 enclosure license. Customer will receive a printed license entitlement certificate and 2 Virtual Connect modules as a single deliverable. The license entitlement certificate must be redeemed online or via fax to obtain the VCEM license activation key.

Supported Products

Compatibility

HP BladeSystem c-Class Virtual Connect Firmware v4.01 and the HP Virtual Connect FlexFabric 10Gb/24-port Module support the following hardware.

HP Servers

All HP ProLiant and Integrity server blades with their supported Ethernet adapters and the following server blades with supported FlexFabric (integrated or mezzanine) and Ethernet Adapters

HP ProLiant Server Blades

- HP ProLiant BL2x220c G6 Server Series
- HP ProLiant BL2x220c G7 Server Series
- HP ProLiant BL280c G6 Server Series
- HP ProLiant BL420c Gen8 Server Blade
- HP ProLiant BL460c G6 Server Series
- HP ProLiant BL460c G7 Server Series
- HP ProLiant BL460c Gen8 Server Blade
- HP ProLiant BL465c G6 Server Series
- HP ProLiant BL465c G7 Server Series
- HP ProLiant BL465c Gen8 Server Blade
- HP ProLiant BL490c G6 Server Series
- HP ProLiant BL495c G6 Server Series
- HP ProLiant BL620c G7 Server Series
- HP ProLiant BL660c Gen8 Server Blade
- HP ProLiant BL680c G7 Server Series
- HP ProLiant BL685c G6 Server Series
- HP ProLiant BL685c G7 Server Series

Integrity Server Blades

- HP Integrity BL860c Server Blade
- HP Integrity BL860c i2 Server Blade
- HP Integrity BL860c i4 Server Blade
- HP Integrity BL870c Server Blade
- HP Integrity BL870c i2 Server Blade
- HP Integrity BL870c i4 Server Blade
- HP Integrity BL890c i2 Server Blade
- HP Integrity BL890c i4 Server Blade

NOTE: Some servers listed above may be discontinued.

NOTE: HP Integrity BL8x0c i2 servers require VC FW 3.0 or higher. HP Integrity BL8x0c i4 servers require VC FW 3.7 or higher.

HP Network Adapters

FlexFabric adapter:

- HP NC551i Dual Port FlexFabric 10Gb Converged Network Adapter
- HP NC551m Dual Port FlexFabric 10Gb Converged Network Adapter
- HP NC553i 10Gb 2-port FlexFabric Converged Network Adapter
- HP NC553m 10Gb 2-port FlexFabric Converged Network Adapter
- HP FlexFabric 10Gb 2-port 554M Adapter
- HP FlexFabric 10Gb 2-port 554FLB Adapter

Ethernet and Flex-10 Ethernet adapters:

- HP NC325m PCI Express Quad Port 1Gb server adapter

Supported Products

- HP NC326i Integrated Dual Port PCI Express Gigabit Server Adapter
- HP NC326m PCI Express Dual Port Multifunction Gigabit Server Adapter
- HP NC360m Dual Port 1GbE BL-c Adapter
- HP NC364m Quad Port 1GbE BL-c Adapter
- HP NC370i Dual Port Multifunction Gigabit Network Adapter
- HP NC373i Dual Port Multifunction Gigabit Network Adapter
- HP NC373m Dual Port Multifunction Gigabit Network Adapter
- HP NC382i Integrated Dual Port PCI Express Gigabit Server Adapter
- HP NC382m Integrated Dual Port PCI Express Gigabit Server Adapter
- HP NC522m Dual Port Flex-10 10GbE Multifunction BL-c Adapter
- HP NC532i Dual Port Flex-10 10GbE Multifunction BL-c Adapter
- HP NC532m Dual Port Flex-10 10GbE Multifunction BL-c Adapter
- HP NC542m Dual Port Flex-10 10GbE BL-c Adapter
- HP NC550m 10Gb 2-port PCIe x8 Flex-10 Ethernet Adapter
- HP NC522m Dual Port Flex-10 10GbE Multifunction BL-c Adapter
- HP Flex-10 10Gb 2-port 530FLB Adapter
- HP Flex-10 10Gb 2-port 530M Adapter
- HP Flex-10 10Gb 2-port 552M Adapter
- HP Ethernet 1Gb 2-port 361FLB Adapter
- HP Ethernet 1Gb 4-port 366M Adapter

NOTE: Consult individual server blade QuickSpecs for specific adapter support.

NOTE: Some options listed above may be discontinued.

HP BladeSystem c-Class Enclosures

HP BladeSystem c-Class c7000 Enclosure with Onboard Administrator

NOTE: VC FlexFabric modules are not supported in BladeSystem c3000 enclosures.

Virtual Connect Firmware

Virtual Connect Firmware v4.01 is recommended with the following release sets for HP ProLiant and HP Integrity environments

HP ProLiant server blades

HP Service Pack for ProLiant : Version 2013.02.0 or greater

The HP Service Pack for ProLiant (SPP) with HP Smart Update Manager (HP SUM) as the deployment engine provides a comprehensive approach to firmware and system software maintenance. The SPP is a comprehensive collection of firmware and system software components, all tested together as a single solution stack that include drivers, agents, utilities, firmware packages for HP ProLiant servers, controllers, storage, blades and enclosures, and other options. It is available on all supported HP ProLiant Gen 8 servers (HP ProLiant SL/ML/DL/BL 100, 200, 300, 500, 700, 900 servers, and HP CloudSystem Matrix) in addition to earlier generation HP ProLiant servers. The SPP is released with most major HP ProLiant server releases

To access the latest HP Service Pack for ProLiant click here:

www.hp.com/go/server/service_packs/updates

HP Integrity i2 Server Blades

Recommended HP Smart Update Firmware:

HP Smart Update Firmware-HP Integrity BL860c/870c/890c i2 System Firmware Bundle for Linux/Windows, 26.35

To access latest HP Smart Update Firmware, click here:

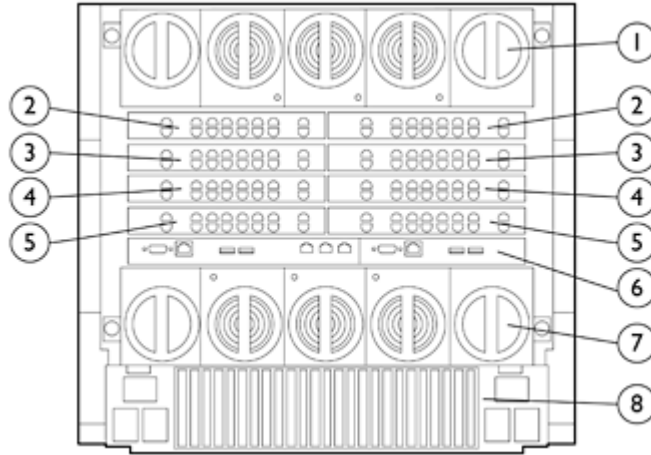
Supported Products

<http://h18004.www1.hp.com/products/blades/integrity-release-sets.html>

HP Integrity Server Blades

For HP Integrity BL860c and BL870c use System Firmware 04.31

Supported Configurations



HP BladeSystem c7000 Enclosure - Rear View

- | | |
|----------------------------|---------------------------------|
| 1. Upper Fan System | 5. Interconnect Bays 7 / 8 |
| 2. Interconnect Bays 1 / 2 | 6. On Board Administrator |
| 3. Interconnect Bays 3 / 4 | 7. Lower Fan System |
| 4. Interconnect Bays 5 / 6 | 8. Rear Redundant Power Complex |

Mezzanines

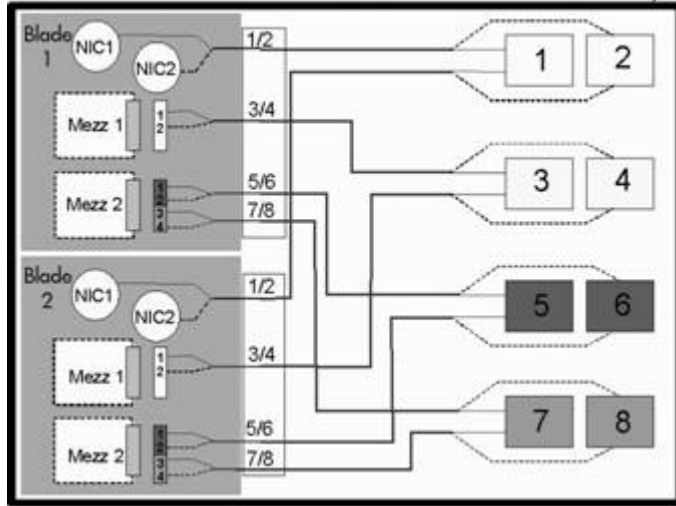
c7000 Port Mapping

Port mapping differs slightly between full height and half height server blades due to the support for additional Mezzanine cards on the full height version.

HP has simplified the processes of mapping Mezzanine ports to switch ports by providing intelligent management tools via the Onboard Administrator and HP Insight Manager Software. The Onboard Administrator Guide and Enclosure Setup and Installation Guide provide detailed information on port mapping.

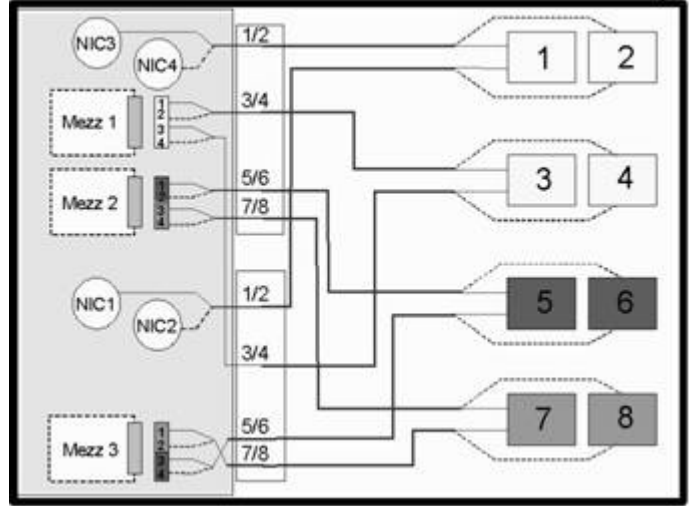
Supported Products

c-Class Server Blades c-Class Interconnect Bays



Half Height Server Blade

c-Class Server Blades c-Class Interconnect Bays



Full Height Server Blade

HP BladeSystem c7000 Enclosure

NOTE: The following tables show a number of supported configurations for an HP BladeSystem c7000 Enclosure with Virtual Connect FlexFabric Modules. Not all possible combinations are shown here.

NOTE: VC FlexFabric modules are not supported in HP BladeSystem c3000 enclosures.

Interconnect Module Configurations				Server Network Adapters Used	
[Bay 1]	VC FlexFabric	->	VC FlexFabric or Empty	[Bay 2]	Integrated FlexFabric Adapter ¹
[Bay 3]	Empty	->	Empty	[Bay 4]	
[Bay 5]	Empty	->	Empty	[Bay 6]	
[Bay 7]	Empty	->	Empty	[Bay 8]	

[Bay 1]	VC FlexFabric	->	VC FlexFabric or Empty	[Bay 2]	FLEXFABRIC ADAPTER Integrated FlexFabric Adapter ¹
[Bay 3]	VC FlexFabric	->	VC FlexFabric or Empty	[Bay 4]	FlexFabric Adapter Mezzanine
[Bay 5]	Empty	->	Empty	[Bay 6]	
[Bay 7]	Empty	->	Empty	[Bay 8]	

[Bay 1]	VC FlexFabric	->	VC FlexFabric or Empty	[Bay 2]	Integrated FlexFabric Adapter ¹
[Bay 3]	VC FlexFabric	->	VC FlexFabric or Empty	[Bay 4]	FlexFabric Adapter Mezzanine
[Bay 5]	VC FlexFabric	->	VC FlexFabric or Empty	[Bay 6]	FlexFabric Adapter Mezzanine
[Bay 7]	Empty	->	Empty	[Bay 8]	

Supported Products

[Bay 1]	VC FlexFabric	->	VC FlexFabric or Empty	[Bay 2]	Integrated FlexFabric Adapter ¹
[Bay 3]	VC FlexFabric	->	VC FlexFabric or Empty	[Bay 4]	FlexFabric Adapter Mezzanine
[Bay 5]	VC FlexFabric	->	VC FlexFabric or Empty	[Bay 6]	FlexFabric Adapter Mezzanine
[Bay 7]	VC FlexFabric	->	VC FlexFabric or Empty	[Bay 8]	FlexFabric Adapter Mezzanine

[Bay 1]	VC FlexFabric	->	VC FlexFabric or Empty	[Bay 2]	Integrated FlexFabric Adapter ¹
[Bay 3]	VC Flex-10 VC Flex-10/10D VC FC	-> -> ->	VC Flex-10 or Empty VC Flex-10/10D or Empty VC FC or Empty	[Bay 4]	Flex-10/Enet or FC HBA Mezzanine
[Bay 5]	Empty	->	Empty	[Bay 6]	
[Bay 7]	Empty	->	Empty	[Bay 8]	

[Bay 1]	VC FlexFabric	->	VC FlexFabric or Empty	[Bay 2]	Integrated FlexFabric Adapter ¹
[Bay 3]	VC Flex-10 VC Flex-10/10D VC FC	-> -> ->	VC Flex-10 or Empty VC Flex-10/10D or Empty VC FC or Empty	[Bay 4]	Flex-10/Enet or FC HBA Mezzanine
[Bay 5]	VC Flex-10 VC Flex-10/10D VC FC	-> -> ->	VC Flex-10 or Empty VC Flex-10/10D or Empty VC FC or Empty	[Bay 6]	Flex-10/Enet or FC HBA Mezzanine
[Bay 7]	Empty	->	Empty	[Bay 8]	

[Bay 1]	VC FlexFabric	->	VC FlexFabric or Empty	[Bay 2]	Integrated FlexFabric Adapter ¹
[Bay 3]	VC Flex-10 VC Flex-10/10D VC FC	-> -> ->	VC Flex-10 or Empty VC Flex-10/10D or Empty VC FC or Empty	[Bay 4]	Flex-10/Enet or FC HBA Mezzanine
[Bay 5]	VC Flex-10 VC Flex-10/10D VC FC	-> -> ->	VC Flex-10 or Empty VC Flex-10/10D or Empty VC FC or Empty	[Bay 6]	Flex-10/Enet or FC HBA Mezzanine
[Bay 7]	VC Flex-10 VC Flex-10/10D VC FC ³	-> -> ->	VC Flex-10 or Empty VC Flex-10/10D or Empty VC FC ³ or Empty	[Bay 8]	Flex-10/Enet or FC HBA Mezzanine

[Bay 1]	Empty	->	Empty	[Bay 2]	
[Bay 3]	VC FlexFabric	->	VC FlexFabric or Empty	[Bay 4]	FlexFabric Adapter Mezzanine
[Bay 5]	Empty	->	Empty	[Bay 6]	
[Bay 7]	Empty	->	Empty	[Bay 8]	

[Bay 1]	VC Flex-10	->	VC Flex-10 or Empty	[Bay 2]	Flex-10/Enet LOM
[Bay 3]	VC FlexFabric	->	VC FlexFabric or Empty	[Bay 4]	FlexFabric Adapter Mezzanine
[Bay 5]	Empty	->	Empty	[Bay 6]	
[Bay 7]	Empty	->	Empty	[Bay 8]	

Supported Products

[Bay 1]	VC Flex-10	->	VC Flex-10 or Empty	[Bay 2]	Flex-10/Enet LOM
[Bay 3]	VC FlexFabric	->	VC FlexFabric or Empty	[Bay 4]	FlexFabric Adapter Mezzanine
[Bay 5]	VC Flex-10 VC Flex-10/10D VC FC VC FlexFabric	-> -> -> ->	VC Flex-10 or Empty VC Flex-10/10D or Empty VC FC or Empty VC FlexFabric or Empty	[Bay 6]	Flex-10/Enet, FC HBA or FlexFabric Adapter Mezzanine
[Bay 7]	Empty	->	Empty	[Bay 8]	

[Bay 1]	VC Flex-10 VC FlexFabric ²	-> ->	VC Flex-10 or Empty VC FlexFabric ² or Empty	[Bay 2]	Flex-10/Enet LOM
[Bay 3]	VC FlexFabric	->	VC FlexFabric or Empty	[Bay 4]	FlexFabric Adapter Mezzanine
[Bay 5]	VC Flex-10 VC Flex-10/10D VC FC VC FlexFabric	-> -> -> ->	VC Flex-10 or Empty VC Flex-10/10D or Empty VC FC or Empty VC FlexFabric or Empty	[Bay 6]	Flex-10/Enet, FC HBA or FlexFabric Adapter Mezzanine
[Bay 7]	VC Flex-10 VC Flex-10/10D VC FC ³ VC FlexFabric	-> -> -> ->	VC Flex-10 or Empty VC Flex-10/10D or Empty VC FC ³ or Empty VC FlexFabric or Empty	[Bay 8]	Flex-10/Enet, FC HBA or FlexFabric Adapter Mezzanine

¹ Requires HP ProLiant BL G7 server blades with HP NC551i or HP NC553i Dual Port FlexFabric 10Gb Converged Network Adapter.

² Supports Ethernet only when connected to server blades without embedded NC551i Dual Port FlexFabric 10Gb Converged Network Adapter.

³ Requires full-height servers.

Required Cabling

NOTE: Twinax direct attach copper (0.5 to 7m). 7m supported on ports 1-4

NOTE: Direct Attach Copper cables listed in the options section below is fully supported by HP. HP recommends use of these cables. If not identified as a "supported" DAC, VC will allow the connection to proceed if the discovery process indicates the cable meets the following criteria: connector=copper pigtail; transceiver code=active cable or passive cable; speed >=10Gb; length between 1m and 7m, inclusive. The connection is logged as an unsupported cable. Prior to requesting support from HP, a DAC from the supported list must be used to validate the issue.

Maximum Distances	Multimode OM1	Multimode OM2	Multimode OM3	Singlemode
	62.5/125 micron	50/125 micron	50/125 micron	9 micron
SR	2 - 26m/33m*	2 - 82m	2 - 300m	
LR				2 -10km
LRM	0.5 - 220m	0.5 - 220m	0.5 - 220m	

NOTE:* 26m at 160MHz and 33m at 200MHz.

NOTE: For additional information on 10Gb cable specifications go to:

http://www.hewlett-packard.com/rnd/pdfs/10gig_cabling_technical_brief.pdf

Supported Products

Stacking Configuration

Stacking links are used to interconnect Virtual Connect Ethernet/FlexFabric Modules when using more than one enclosure or when using more than two Virtual Connect Ethernet/FlexFabric Modules in a single enclosure. All Virtual Connect Modules within the VC Domain must be interconnected. The following provides recommended configurations.

Interconnecting the modules allows all Ethernet NICs or CNAs on all server blades in the Virtual Connect domain to have access to any Virtual Connect Ethernet uplink port. By using these module-to-module links, a single pair of uplinks can be used as the data center Ethernet network connections for the entire Virtual Connect domain, and allows any server blade to be connected to any Ethernet network.

For additional stacking configuration information go to: HP Virtual Connect for c-Class BladeSystem Setup and Installation Guide

(<http://bizsupport1.austin.hp.com/bc/docs/support/SupportManual/c01732252/c01732252.pdf>).

NOTE: Two (2) internal 10Gb links are provided between Virtual Connect modules in horizontally adjacent bays. Also, VC FlexFabric and VC Flex-10 configuration requires a HP ProCurve XFP to SFP+ 1m Direct Attach Copper Cable to connect an HP Virtual Connect FlexFabric Module and HP Virtual Connect Flex-10 Ethernet Module.

Service and Support, HP Care Pack and Warranty Information

Service and Support

HP Technology Services for Industry Standard Servers and BladeSystem

Capitalizing on HP ProLiant server and HP BladeSystem capabilities requires a service partner who understands your increasingly complex business technology environment. That's why it makes sense to team up with the people who know HP infrastructure hardware and software best - the experienced professionals at HP Services.

Protect your business beyond warranty with HP Care Pack Services

HP Care Pack services offer complete care and support expertise with committed response choices designed to meet your IT and business needs.

HP Foundation Care services offer scalable reactive support-packages for HP servers and software. You can choose the type and level of service that is most suitable for your IT and business needs. HP Proactive Care delivers high levels of system availability through proactive service management and advanced technical response. HP Datacenter Care provides highly flexible environmental support to address unique customer business needs.

Choose a recommended service appropriate to your product or contact your HP sales representative or authorized HP ServiceOne partner for additional HP Care Pack services information.

Recommended HP Care Pack Services for your HP product

Optimized Care

3-Year HP 6 hour Call to Repair Response, Proactive Care

Combined reactive and proactive support for hardware and software helping optimize your systems and delivering high levels of availability through proactive service management and advanced technical response. Hardware problem resolution to return the hardware in operating condition within 6 hours of the initial service request. A Technical Account Manager, as your single point of contact, will own your call or issue end to end until resolved.

<http://h20195.www2.hp.com/v2/GetPDF.aspx/4AA3-8855EEE.pdf>

HP Installation and Startup Service for HP BladeSystem c-Class Infrastructure for c7000 enclosure

Provides for hardware installation (c-Class ProLiant and Integrity server blades, storage blades, Ethernet Interconnects and Virtual Connect) and software installation and startup of a BladeSystem c7000 Infrastructure in a single enclosure including deployment of OS (two servers), HP Insight Control and Server Deployment (formerly RDP).

<http://h20195.www2.hp.com/V2/GetPDF.aspx/4AA0-5964ENW.pdf>

HP Installation and Startup Service for HP BladeSystem c-Class Enhanced Network

HP Provides for the configuration and testing of BladeSystem Ethernet interconnect switches and Virtual Connect to facilitate proper implementation of network protocols and access to advanced features.

<http://h20195.www2.hp.com/V2/GetPDF.aspx/4aa0-5969ENW.pdf>

Standard Care

3-Year HP 24x7 4 hour response, Proactive Care Service

This service gives you combined reactive and proactive support including rapid access to our Advanced Solution Center to manage and prevent problems and a Technical Support Specialist with a broad level of technical knowledge that will engage with additional technical expertise as needed from HP's vast global resources.

<http://h20195.www2.hp.com/v2/GetPDF.aspx/4AA3-8855EEE.pdf>

HP Installation and Startup Service for HP BladeSystem c-Class Infrastructure for c7000 enclosure

Provides for hardware installation (c-Class ProLiant and Integrity server blades, storage blades, Ethernet Interconnects and Virtual Connect) and software installation and startup of a BladeSystem c7000 Infrastructure in a single enclosure including deployment of OS (two servers), HP Insight Control and Server Deployment (formerly RDP).

Service and Support, HP Care Pack and Warranty Information

<http://h20195.www2.hp.com/V2/GetPDF.aspx/4AA0-5964ENW.pdf>

HP Installation and Startup Service for HP BladeSystem c-Class Enhanced Network

HP Provides for the configuration and testing of BladeSystem Ethernet interconnect switches and Virtual Connect to facilitate proper implementation of network protocols and access to advanced features.

<http://h20195.www2.hp.com/V2/GetPDF.aspx/4aa0-5969ENW.pdf>

Related Services

HP Proactive Care Personalized Support - Environmental Option

The Personalized Support option provides an assigned Account Support Manager who can bring best practices from across the industry plus extra technical skills to your IT team. This option is only available as an add-on to HP Proactive Care Support.

HP Proactive Select Service

Provides a flexible way to purchase HP best-in-class consultancy and technical services. You can buy Proactive Select Service Credits when you purchase your hardware and then use the credits over the next 12 months. <http://h20195.www2.hp.com/V2/GetPDF.aspx/4AA2-3842ENN.pdf>

Additional HP Care Pack services can be found at: <http://www.hp.com/go/cpc>

Insight Online/Insight Remote Support

HP Insight Remote Support provides 24 X 7 remote monitoring, proactive notifications, and problem resolution. This comes at no additional cost with your HP solution. Learn more about Insight Remote Support <http://www.hp.com/go/insightremotesupport> and Insight Online

<http://www.hp.com/go/insightonline>

NOTE: Insight Remote Support is a prerequisite for Proactive Care. All blades within a single HP BladeSystem enclosure must be at the same service level.

HP Support Center

Personalized online support portal with access to information, tools and experts to support HP business products. Submit support cases online, chat with HP experts, access support resources or collaborate with peers. Learn more <http://www.hp.com/go/hpsc>

HP's Support Center Mobile App allows you to resolve issues yourself or quickly connect to an agent for live support. Now, you can get access to personalized IT support anywhere, anytime.

HP Insight Remote Support and HP Support Center are available at no additional cost with a HP warranty, HP Care Pack or HP contractual support agreement.

NOTE: HP Support Center Mobile App is subject to local availability.

Parts and materials

HP will provide HP-supported replacement parts and materials necessary to maintain the covered hardware product in operating condition, including parts and materials for available and recommended engineering improvements.

Parts and components that have reached their maximum supported lifetime and/or the maximum usage limitations as set forth in the manufacturer's operating manual, product quick-specs, or the technical product data sheet will not be provided, repaired, or replaced as part of these services.

The defective media retention service feature option applies only to Disk or eligible SSD/Flash Drives replaced by HP due to malfunction.

Warranty

Server Blade Interconnect Limited Warranty includes 1 year Parts, 1 year Labor, 1-year on-site support. Additional information regarding worldwide limited warranty and technical support is available at: <http://h18004.www1.hp.com/products/servers/platforms/warranty/index.html>

For more information

To learn more on HP ProLiant servers and HP BladeSystem servers, please contact your HP sales representative or HP Authorized Channel Partner. Or visit: www.hp.com/services/bladefabric

Related Options

Cabling and Transceiver Options

Copper Cables

HP BladeSystem c-Class Small Form-Factor Pluggable .5m 10GbE Copper Cable	487649-B21
HP BladeSystem c-Class Small Form-Factor Pluggable 1m 10GbE Copper Cable	487652-B21
HP BladeSystem c-Class Small Form-Factor Pluggable 3m 10GbE Copper Cable	487655-B21
HP BladeSystem c-Class Small Form-Factor Pluggable 5m 10GbE Copper Cable	537963-B21
HP BladeSystem c-Class Small Form-Factor Pluggable 7m 10GbE Copper Cable	487658-B21
HP C-series SFP+ to SFP+ Active Copper 7.0m Direct Attach Cable	QK701A
HP C-series SFP+ to SFP+ Active Copper 10.0m Direct Attach Cable	QK702A
HP X242 10G SFP+ to SFP+ 10m Direct Attach Copper Cable	J9286B
HP X242 10G SFP+ to SFP+ 15m Direct Attach Copper Cable	J9287B
HP X242 10G SFP+ to SFP+ 1m Direct Attach Copper Cable	J9281B
HP X242 10G SFP+ to SFP+ 3m Direct Attach Copper Cable	J9283B
HP X242 10G SFP+ to SFP+ 7m Direct Attach Copper Cable	J9285B
HP X240 10G SFP+ to SFP+ 0.65m Direct Attach Copper Cable	JD095B
HP X240 10G SFP+ to SFP+ 1.2m Direct Attach Copper Cable	JD096B
HP X240 10G SFP+ to SFP+ 3m Direct Attach Copper Cable	JD097B
HP X244 10G XFP to SFP+ 1m Direct Attach Copper Cable	J9300A
HP 10G X244 XFP to SFP+ 3m Direct Attach Copper Cable	J9301A
HP 10G X244 XFP to SFP+ 5m Direct Attach Copper Cable	J9302A
HP C-Series SFP+ to SFP+ Copper 3.0m Direct Attach Cable	AP784A
HP C-Series SFP+ to SFP+ Copper 5.0m Direct Attach Cable	AP785A
HP B-series SFP+ to SFP+ Active Copper 1.0m Direct Attach Cable	AP818A
NOTE: Equivalent to Brocade 10Gbps Direct Attached SFP+Copper Cable - 1m (PN XBR-TWX-0101).	
HP B-series SFP+ to SFP+ Active Copper 3.0m Direct Attach Cable	AP819A
NOTE: Equivalent to Brocade 10Gbps Direct Attached SFP+Copper Cable -3m (PN XBR-TWX-0301).	
HP B-series SFP+ to SFP+ Active Copper 5.0m Direct Attach Cable	AP820A
NOTE: Equivalent to Brocade 10Gbps Direct Attached SFP+Copper Cable-5m (PN XBR-TWX-0501).	

Ethernet Optical Transceivers

HP BladeSystem c-Class 10Gb Short Range Small Form-Factor Pluggable Option	455883-B21
HP BladeSystem c-Class 10Gb Long Range Small Form-Factor Pluggable Option	455886-B21
NOTE: Requires single-mode fiber.	
HP BladeSystem c-Class 10Gb Long Range Mode Small Form-Factor Pluggable Option	455889-B21
HP BLc Virtual Connect 1Gb SX Small Form Factor Pluggable Option Kit	453151-B21
HP BLc Virtual Connect 1Gb RJ-45 Small Form Factor Pluggable Option Kit	453154-B21

Fibre Channel Optical Transceivers

HP 8Gb Shortwave B-series Fibre Channel 1 Pack SFP+ Transceiver	AJ716B
HP 8Gb Long Wave B-series 10km Fibre Channel 1 Pack SFP+ Transceiver	AJ717A
HP 8Gb Short Wave Fibre Channel SFP+ 1 Pack	AJ718A
HP 4Gb Short Wave B-series Fibre Channel 1 Pack SFP Transceiver	AJ715A

Related Options

HP 4Gb Long Wave B-series 30km Fibre Channel SFP Transceiver 1 Pack	AN211A
HP LC to LC Multi-mode OM3 2-Fiber 0.5m 1-Pack Fiber Optic Cable	AJ833A
HP LC to LC Multi-mode OM3 2-Fiber 1.0m 1-Pack Fiber Optic Cable	AJ834A
HP LC to LC Multi-mode OM3 2-Fiber 2.0m 1-Pack Fiber Optic Cable	AJ835A
HP LC to LC Multi-mode OM3 2-Fiber 5.0m 1-Pack Fiber Optic Cable	AJ836A
HP LC to LC Multi-mode OM3 2-Fiber 15.0m 1-Pack Fiber Optic Cable	AJ837A
HP LC to LC Multi-mode OM3 2-Fiber 30.0m 1-Pack Fiber Optic Cable	AJ838A
HP LC to LC Multi-mode OM3 2-Fiber 50.0m 1-Pack Fiber Optic Cable	AJ839A

NOTE: 7m DAC (P/N J9285B) length is supported on VC FlexFabric module ports X5-X8. Ports X1-X4 support up to 5m DAC lengths.

NOTE: In addition to the supported HP and non-HP Copper cables above, Virtual Connect provides "allowed" connections using third party cables that meet the following criteria: connector=copper pigtail; transceiver code=active cable or passive cable; speed equal or less than 10Gb; length between 1m and 7m, inclusive. All "allowed" DACs are connected and logged. Prior to requesting support from HP, a DAC from the supported list above must be used to verify a cable issue is not involved.

NOTE: Two 8Gb Shortwave FC transceivers are offered to allow consistency with those used in other VC 8Gb Fibre Channel Modules in your environment. HP 8Gb Shortwave B-series Fibre Channel 1 Pack SFP+ Transceivers (A716A) supports VC FC 8Gb 24-port modules. HP 8Gb Short Wave Fibre Channel SFP+ 1 Pack Transceivers (AJ718A) also supports VC FC 8Gb 20-port modules.

Service and Support Offerings

NOTE: HP Care Pack services for the c7000 and c3000 Enclosures cover the enclosure, power supplies and fans. HP Virtual Connect FlexFabric 10Gb/24-Port Modules are also covered by the c7000 and c3000 enclosures Care Pack services

NOTE: Some options, including Fibre Channel and InfiniBand switches for the HP c-Class BladeSystem, are not covered under the c7000/c3000 enclosure Care Packs and carry separate Care Packs. Care Pack service level support for these options should always be uplifted to match existing storage or server service level

Proactive Care Services for the c7000 Enclosure

HP 3 year 4 hour 24x7 c7000 Enclosure Proactive Care Service	U3C33E
HP 3 year 6 hour Call To Repair 24x7 c7000 Enclosure Proactive Care Service	U3C36E
HP 3 year 4 hour 24x7 c7000 Enclosure with Insight Control Proactive Care Service	U3P10E
HP 3 year 6 hour Call To Repair 24x7 c7000 Enclosure with Insight Control Proactive Care Service	U3P13E

Proactive Care Services for the c3000 Enclosure

HP 3 year 4 hour 24x7 c3000 Enclosure Proactive Care Service	U3C42E
HP 3 year 6 hour Call To Repair 24x7 c3000 Enclosure Proactive Care Service	U3C45E
HP 3 year 4 hour 24x7 c3000 Enclosure with Insight Control Proactive Care Service	U3P19E
HP 3 year 6 hour Call To Repair 24x7 c3000 Enclosure with Insight Control Proactive Care Service	U3P22E

HP Proactive Care Personalized Support (Environmental Option)

HP 3yr Provides annual personalized proactive supp for existing Proactive Care ISS centric environmt	U6W98E
--	--------

Related Options

Installation & Start-up Services recommended for the c7000

HP Startup Blade System c-Class Infrastructure Service UE602E

HP Startup Blade System c-Class Enhanced Network Service UE603E

Installation & Start-up Services recommended for the c3000

HP Startup c3000 with Insight Control and Operating System and Server Blade Service UF817E

HP Startup BladeSystem c3000 + Operating System Service UF818E

HP Startup BladeSystem c3000 Enclosed Network Service UF814E

Additional HP Care Pack services can be found at:

<http://www.hp.com/go/cpc>

Technical Specifications

Shipping Dimensions	Length	10.55 in (267.97 mm)	
	Width	7.58 in (192.53 mm)	
	Height	1.10 in (27.94 mm)	
Shipping Weight		Approximately 1.27Kg (2.8 Lbs)	
Product Specifications Hardware	Performance	Line Rate, full-duplex 240Gbps bridging fabric	
		Non-blocking architecture	
		Maximum transmission unit (MTU) of up to 9216 bytes (jumbo frames)	
	Connectors and Cabling	16 x 10Gb downlinks through the midplane	
		2 x 10Gb cross connect links	
		4 x 10Gb SR, LR fiber and copper uplinks SFP+	
		4 x 10Gb SR, LRM and LR fiber and copper uplinks SFP+	
		1 internal interface to c-Class Onboard Administrator Module	
	Indicators	Recessed Momentary Reset Switch	
		Momentary Next/Step Switch	
Backlit port number, configuration and status indicator LED, one per bulkhead port, blue/amber/green			
Module status indicator, amber/green			
Module locator (UID), blue			
Link indicator, one per SFP+-port, green/amber/orange			
Weight	Active multiplexed port indicator, green		
	1.27Kg (2.8 Lbs)		
Latency	1.2 μs on Ethernet only ports		
	1.7u μs Enet/FC ports		
External FC Port Type	Configured as Node port s (N_Port), 2Gb, 4Gb or 8Gb auto-negotiating SFP ports		
Classes of Service	Class 2 and Class 3 Fibre Channel services		
Scalability	Does not contribute to the total switch limit.		
Buffer Credits	8 buffer credits per port, ASIC embedded memory		
Environmental Ranges	Temperature Range	Specification	
		10C to 35C (50F to 95F)	
	Temperature Range*	Operating	10C to 35C (50F to 95F)
		Shipping	Shipping -40C to 60C (-40F to 140F)
		Storage	-20°C to 60°C (-4F to 140°F)
		Maximum wet bulb temperature	30C (80F)
		Relative Humidity (noncondensing)**	Operating
	Shipping		10% to 90%

Technical Specifications

* All temperature ratings shown are for sea level. An altitude derating of 1°C per 304.8 m (1.8°F per 1,000 ft) to 3048 m (10,000 ft) is applicable. No direct sunlight allowed. Upper operating limit is 3,048m (10,000 ft) or 70 Kpa/10.1 psia. Upper non-operating limit is 9,144 m (30,000 ft) or 30.3 KPa/4.4 psia.

** Storage maximum humidity of 95% is based on a maximum temperature of 45°C (113°F). Altitude maximum for storage corresponds to a pressure minimum of 70 KPa.

Power Specification 12V @ 9.17A (110 W)

Product Specifications Software

Security Features

HTTPS (HTTP exchanged over an SSL-encrypted session) is required for access to the Virtual Connect Manager. Access to the Virtual Connect Manager is via the system Onboard Administrator. Each user account can be configured for a combination of four access privileges to control and/or view elements in the Virtual Connect Manager. User verification by account name and password (Case Sensitive).

Each user account can be configured for a combination of four access privileges to control and/or view elements in the Virtual Connect Manager.

LDAP Authentication services provide role based security via an LDAP SSL Directory Server connection.

TACACS+ authentication, authorization and accounting
RADIUS authentication and authorization

Administrator controlled password length and strength requirements.

Private VLAN's for secure connectivity between servers within a domain.

Compliant with United States Department of Defense Policy on Use of Department of Defense (DoD) Information Systems Standard Consent Banner and User Agreement.

Configurable filtering of multicast traffic

GUI and CLI session timeout

Trunking, Failover and Other Networking Features

Shared Uplink Sets using Link Aggregation Control Protocol (LACP) allows the creation of Ethernet channeling with upstream switches that conform to IEEE 802.3ad. Ports can alternatively be configured for failover only.

External ports within a Port Set can be on the same VC Ethernet module or on multiple VC modules within the VC domain.

In the event of an uplink failure to a data center switch, the next highest performance uplink connection or aggregation will become active.

Fast MAC Cache failover enables rapid recovery of network connections when a standby module becomes active.

Smart Link network senses a failed upstream switch connection and allows teamed NICs to properly failover.

Technical Specifications

VLAN Features

Configure uplink speeds to Auto, 1Gb, or 10Gb on the associated uplinks
802.1Q VLAN supported on uplinks.

Uplink ports can be configured for VLAN tagging at egress or pass-thru of tagged VLAN packets from Server ports.

Native VLAN support for untagged packets on a shared uplink set. Packets can be targeted to a specific server ports.

Industry Standard NPIV Support

Simultaneous tunneled and mapped VLAN connections to a single domain.
The Virtual Connect FlexFabric module works by first converting FCoE traffic from multiple FLEXFABRIC ADAPTER ports to native Fibre Channel and then aggregating it over a single N-port uplink through the use of N_port_ID virtualization (NPIV). NPIV allows multiple distinguishable identities (multiple port WWNs or port IDs) over a single N-port connection. All Fibre Channel SAN switch vendors have support for NPIV in their latest firmware release. By conforming to the NPIV standard, SAN equipment interoperability simplified. The Virtual Connect FlexFabric Module can aggregate traffic from up to 255 physical and virtual servers per Fibre Channel uplink port and up to 255 virtual server connections per single downlink port.

Data Center Connectivity

Each Virtual Connect FlexFabric module supports up to 4 SAN fabrics and is typically connected to Fibre Channel switches that have been configured to run in NPIV mode. The 4 FC configurable uplink ports are speed selectable from 2, 4, or 8Gb/s.

The setup wizard allows SAN administrators to name the fabric that servers will connect into and set the oversubscription rate. Fibre Channel boot parameters and WWN administration are configurable options that can be integrated into server profiles.

In an NPIV environment, there is an initial brief login function between the Virtual Connect FlexFabric Module's uplink port and the data center SAN switch. Once completed, all FlexHBA connections appear as though they are directly connected between the server and the SAN switch. The Virtual Connect FlexFabric Module appears as a pass-thru device to the SAN, yet cables are reduced as much as 16:1

Management Features

Simple and intuitive Graphical User Interface (GUI) for defining, configuring, and managing all elements of the Virtual Connect Domain.

Setup Wizards for server profile creation and initial domain installation and configuration and network configuration.

Comprehensive administration, definition, and management of Ethernet Network, Shared Uplink Set, SAN Fabric management and Server Profiles

Embedded SNMP v1, v2 and SMI-S agents allow Network Management applications to query Virtual Connect for statistics and trap information.

A robust, scriptable and secure Command Line Interface simplifies management and enables macros to control common Virtual Connect tasks

Technical Specifications

Any uplink port can be used as a dedicated mirrored port for traffic analysis and troubleshooting by a Network Analyzer or Sniffer.

Domain Management of user accounts, enclosure, Virtual Connect domain settings, and firmware updates

The location and status of Virtual Connect Modules in the HP c-Class Enclosure and Onboard Administrator can be viewed from the Hardware Status page. Including at-a-glance detailed information of the hardware elements via mouse-over pop-up windows.

MAC Address Administration allows local administration of predefined or user-defined MAC address ranges.

WWN Address Administration allows local administration of predefined WWN addresses ranges to allow pre-provisioning of SAN volumes

VC manager runs as a high-availability pair when an HP VC Module is installed in the adjacent bay. All configuration data is stored in flash memory and checkpointed to the standby module. Configurations can also be backed up to a workstation via the GUI.

A VC Ethernet module is not required in enclosure interconnect bay 1 or 2 when a VC FlexFabric Module is used in any bay as the primary VC module.

Up to 128 Network Access Groups can be defined to prevent enabling specific network combinations in the same server profile.

Supported by HP Virtual Connect Enterprise Management v7.2 and higher. Provides centralized network connection management and workload mobility for thousands of servers. Learn more at: www.hp.com/go/vcem

Role based customization to assign various privileges to Server Admin, Network Admin and Storage Admin.

Management and Standards Support

Standards

- INCITS FC-BB-5 Rev 2.00
- IEEE 802.1Qbb (preliminary)
- IEEE 802.1Qaz (preliminary)
- IEEE 802.1AB LLDP
- IEEE 802.1Q (VLAN, 1024 maximum, includes Native VLAN support and server side VLAN tag mapping)
- IEEE 802.2 LLC
- IEEE 802.3ad Link Aggregation
- IEEE 802.3ae 10Gb Fiber Ethernet
- IEEE 802.3aq 10Gb LRM Ethernet
- SNMP v.1, v.2
- IGMP v1, v2, v3
- ANCI T11 N_Port ID Virtualization
- FC-PH Rev. 4.3
- FC-PH-2
- FC-PH-3
- FC-FLA

Technical Specifications

- FC-GS
- FC-GS-2
- FC-GS-3
- FC-FG
- FC-VI
- FC Element MIB RFC 2837
- Fibre Alliance MIB Version 4.0
- FC-BB5

Safety and Compliance

Safety Certifications

UL/CUL Recognition to UL/CSA 60950-1
TUV to EN 60950-1
CB report and certificate to IEC 60950-1 with all country deviations
CE Marking

Electromagnetic Emissions Certifications FCC Part 15 Class A

FCC Part 15 Class A
EN 55022 Class A (CISPR22 Class A)
VCCI Class A
AS/NZS 3548 Class A or AS/NZS CISPR22 Class A
MIC Class A
CE Marking

Environment-friendly Products and Approach

End-of-life Management and Recycling

Hewlett-Packard offers end-of-life HP product return, trade-in, and recycling programs in many geographic areas. For trade-in information, please go to: <http://www.hp.com/go/green>. To recycle your product, please go to: <http://www.hp.com/go/green> or contact your nearest HP sales office. Products returned to HP will be recycled, recovered or disposed of in a responsible manner.

The EU WEEE directive (2002/95/EC) requires manufacturers to provide treatment information for each product type for use by treatment facilities. This information (product disassembly instructions) is posted on the Hewlett-Packard web site at: <http://www.hp.com/go/green>. These instructions may be used by recyclers and other WEEE treatment facilities as well as HP OEM customers who integrate and re-sell HP equipment.

© Copyright 2013 Hewlett-Packard Development Company, L.P.

The information contained herein is subject to change without notice.

The only warranties for HP products and services are set forth in the express warranty statements accompanying such products and services. Nothing herein should be construed as constituting an additional warranty. HP shall not be liable for technical or editorial errors or omissions contained herein.