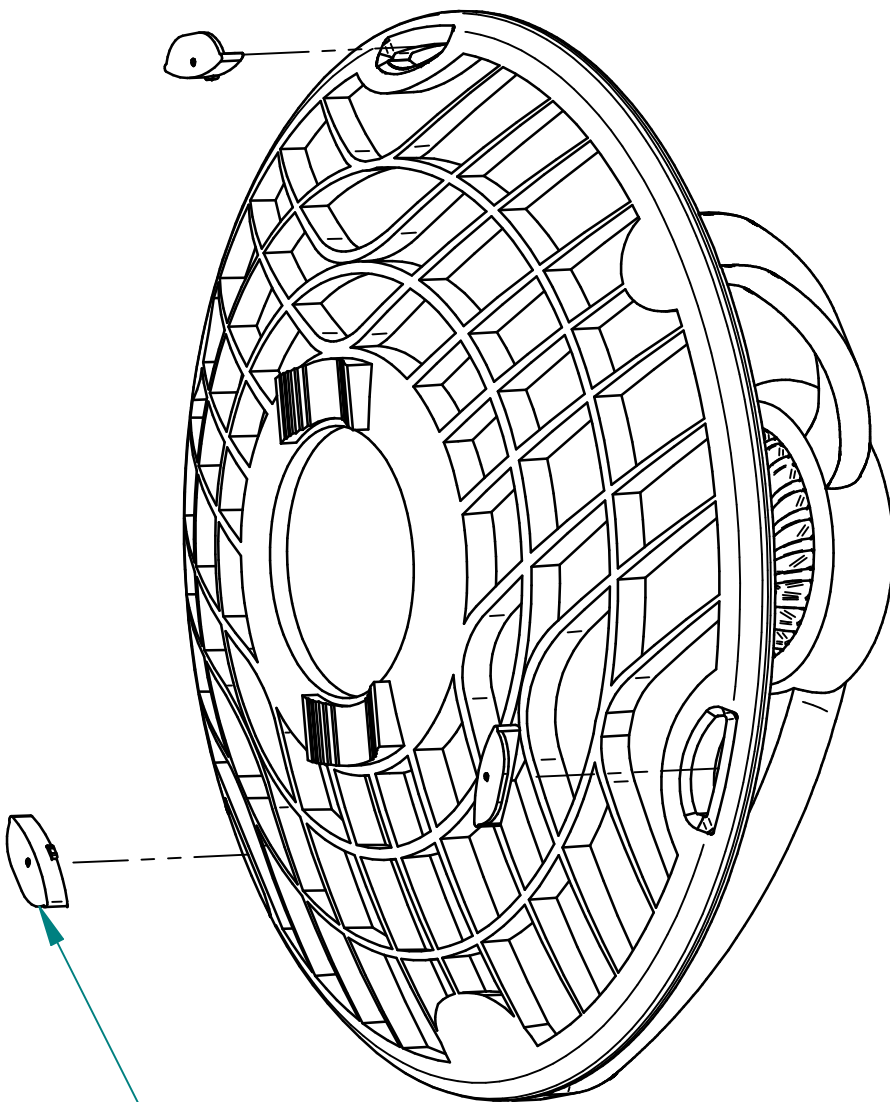


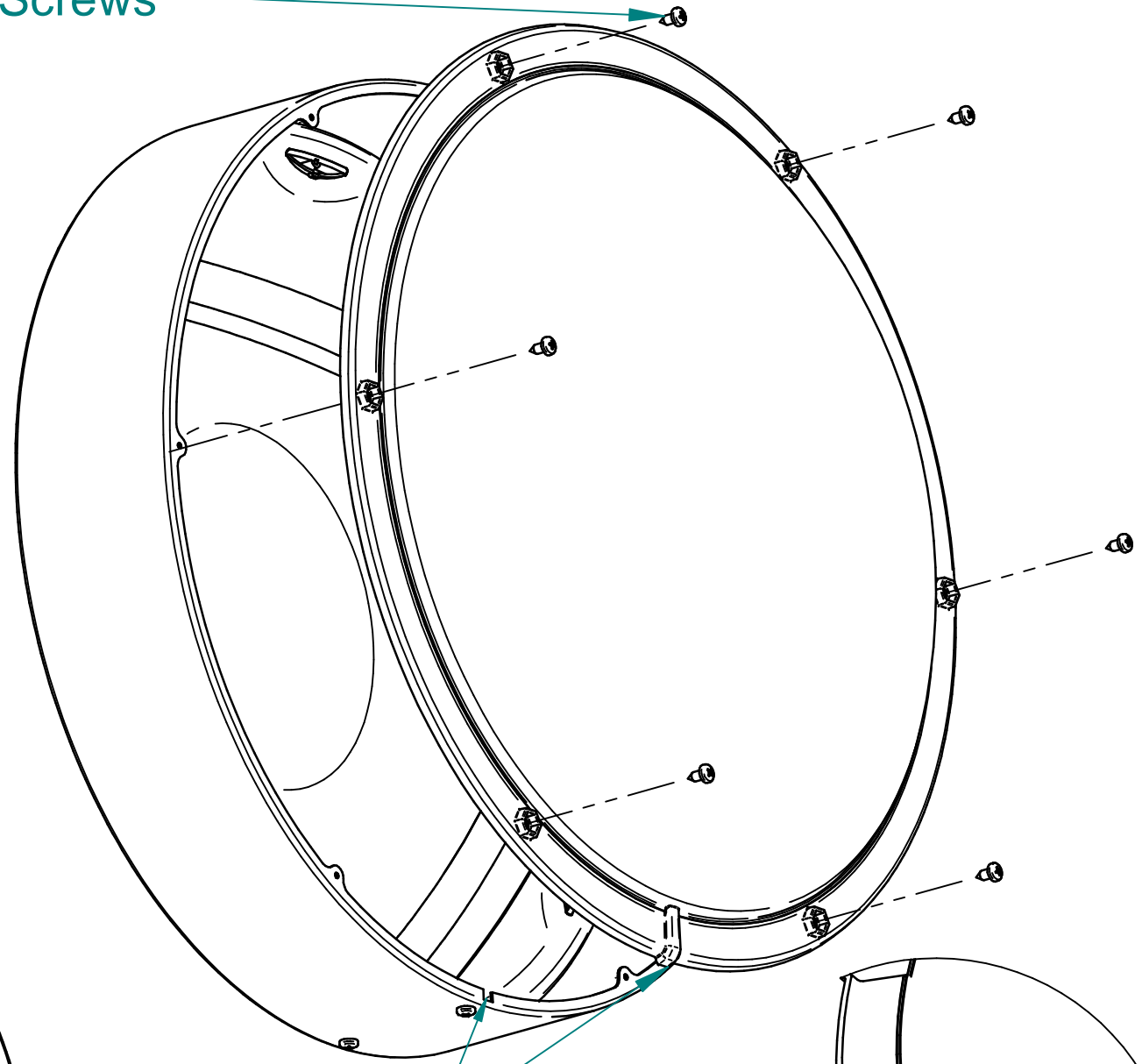
1. Step
Plug in plastic inserts till they clearly clicked.



3x Plastic inserts

JH-AF60 LR

6x Screws



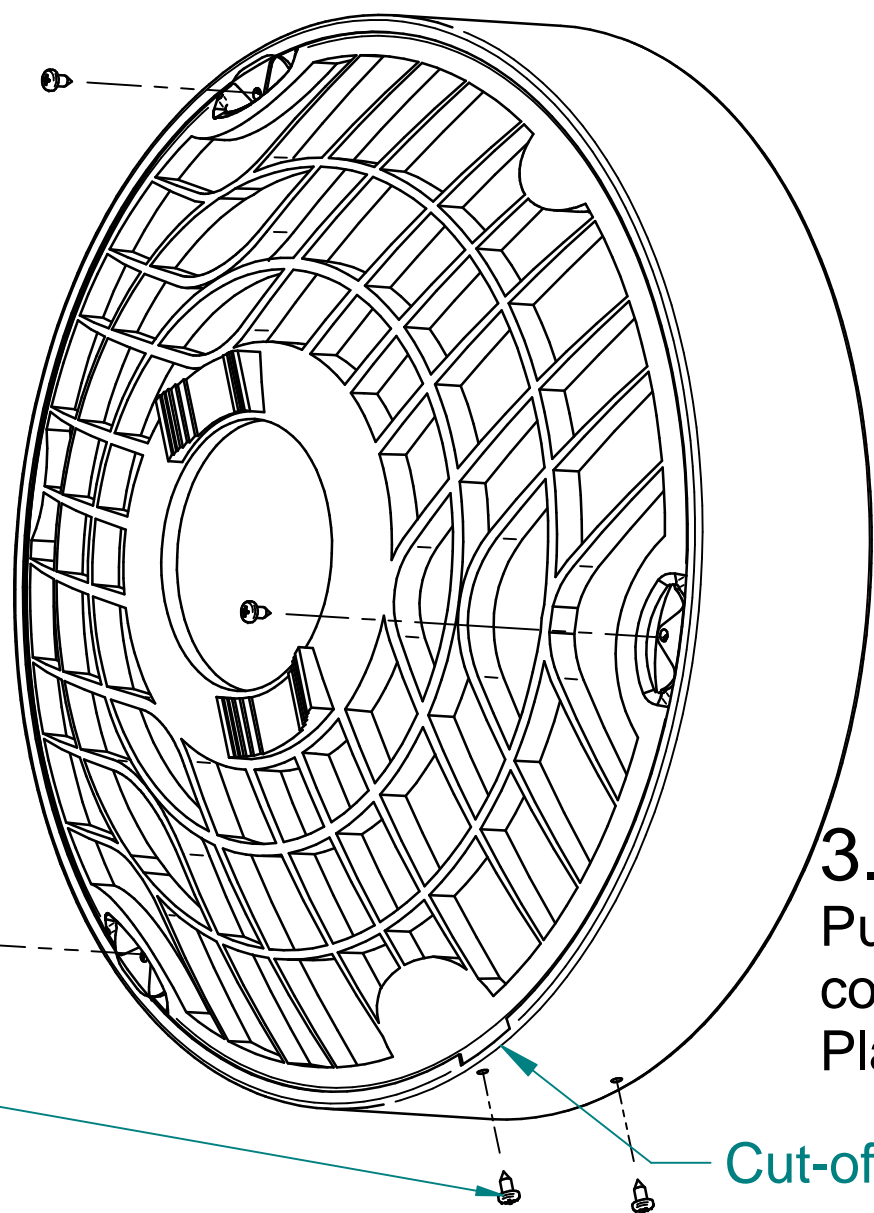
Drainage

To secure screws from falling out.



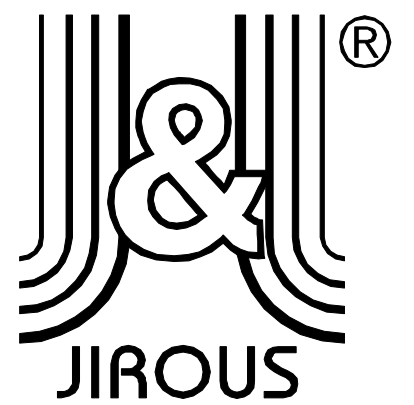
2. Step
Put on metal collar, secure it by screws to plastic inserts and 2 screws to free ends. Plug on ethernet cabel.

5x Screws



Cut-off in collar for cabel access.

3. Step
Put on plastic cover and sreew it on collar. Plastic cover must be well tightened.



www.jirous.com